

The New Challenge: From Power to Energy Systems

R. Cespedes
RConsulting Group
Universidad Nacional
SM-IEEE

E. Parra
Universidad Nacional
Bogota, Colombia

A. Aldana
Universidad Nacional
Bogota, Colombia

C. Torres
Universidad Nacional
Bogota, Colombia

Abstract—The introduction of Smart Grids, a concept that combines a set of tools and techniques that are intended to make the electric power system more efficient by using renewable sources reducing the CO₂ emissions, is now a day taking momentum. As a result the reliability of electricity supply will be increased dramatically, something useful for society that will depend more and more on this source of energy. In this scenario the distributed generation and the energy storage systems will be key technologies for the Smart Grids development. This paper presents the main aspects related to energy efficiency in the Colombian power system and a possible scenario way into the future in order to show important aspects of power systems evolving to energy systems. This evolution as shown in the paper will make the system better and smarter but not without solving important challenges. The evolution will bring new interesting perspective to electrical engineering which will need adjustments starting in the form that the engineers of the future are trained.

Index Terms— Energy systems, smart grids, energy balance, energy storage.

I. INTRODUCTION

THE electrical power system is more than 100 years old. It has been providing good service to society with some sporadic problems – blackouts. However the amount of energy that a country uses today is only in a minor portion in form of electricity. The majority of the energy directly used is in form of petroleum, coal, gas, biomass and others forms of energy. On the other hand the efficiency of the electrical system converting the traditional forms of energy (hydro, coal, gas and a minor portion of wind energy in Colombia) is rather low. In effect although the hydro energy is converted efficiently thermal energy, in particular from older technologies, reaches an efficiency that globally is low compared with other forms of energy. The inefficiencies of the electrical systems is converted into a big environmental CO₂ impact in countries such as USA - with most of the energy derived from fossil fuels. It is estimated that the electrical sector alone is responsible for about 40% of the CO₂ emissions as shown in the Figure 1.

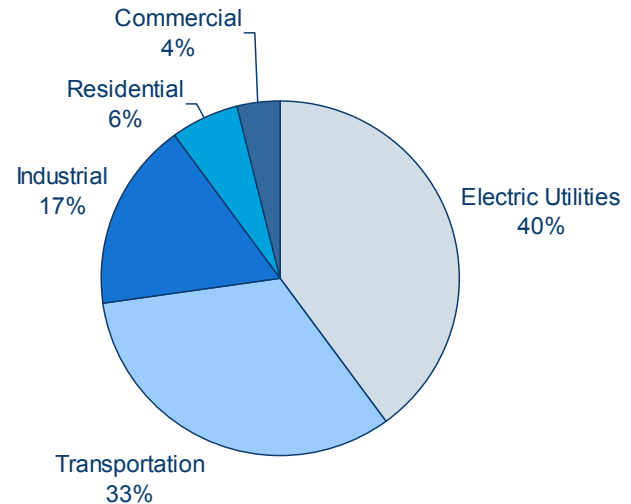


Fig. 1. CO₂ Emissions in the USA [1].

The previous aspect is now being compensated by the use of various sources of sustainable energy with two different characteristics: 1) They are closer to the final energy user and 2) They mitigate the impact on the environment. These important aspects combined with the storage of electrical energy in large amounts lead to the fact that the conventional power systems - where decisions were instantaneous and power related - are slowly transformed into energy systems with decisions that impact the system over a period of time. This paper explores the evolution of the electrical system by considering the example of the Colombian Power system. The electrical system is presented as a large “energy transformation engine” that takes different forms of energy to convert it to electrical energy given its wide usage and its increasing demand in the future. When necessary, data from other sources were considered to depict a possible energy scenario for Colombia way into the future. All the above are concepts that are part of the “smart grid” which in the author’s opinion has its real roots in the evolutionary aspect object of this paper.

II. SMART GRIDS COMPONENTS RELATED TO ENERGY SYSTEMS

A. Definition

A Smart Grid is the evolution of the current electric grid by applying technologies, tools and techniques to bring knowledge to the electric systems for a better performance in terms of the DOE of the USA. A Smart Grid will have higher reliability, economic balance, and will reduce the impact to the environment using new technologies. One of the most

R. Cespedes is the main head of RConsulting Group SAS, renato.cespedes@rcgsas.com.

E. Parra is with the Department of Electrical and Electronic Engineering, National University of Colombia, Bogota DC, estrella.parra@rcgsas.com.

A. Aldana and C. Torres are MsC students at the National University of Colombia, Bogota DC, andres.aldana@rcgsas.com and camilo.torres@rcgsas.com.

important technologies that is considered in the introduction of the Smart Grid is the Advanced Metering Infrastructure (AMI), making the electric industry more consumer-interactive [2]. A full-feature electronic meter is now available, increasing the possibilities of the utility and costumer to control the electric energy supply. With AMI the amount of available data will be much higher than the current state and the demand management may become a reality.

B. Distributed Generation

Limitations on the transportation of large blocks of energy with new transmission lines has conducted to adopt Distributed Generation – DG, with sustainable forms of energy as a solution that bring energy closer to the user and thus more efficiently .

DG is considered as power generation on a small scale that connects to the distribution system near the sites of consumption and which is generally not included in the system’s central dispatch. The interconnection of DG has an impact on the normal operation and has effects on the protection system. Although the connection of generation to the distribution system introduces more complexity in the operation of the system, the advantages identified regarding reduction of losses, improvement of voltage profiles and increases in the use of clean sources of electricity production, indicate that the use of DG should be encouraged.

C. Energy Storage

Energy storage is now a reality. The best and well-known example of storage is the batteries. The level of energy stored passed from kW to MW with a large discharge time (more than 10h) but still at high cost. The main uses of energy storage are: relieve overloaded parts of the grid thus allowing peak shaving, and restore power to costumers during an outage and improve the use of Distributed Generation [3]. Some expected benefits are: [4]

- Improve the reliability
- Reduce the peak of the demand profile
- Reduce cost of other equipment such as transformation by reducing the maximum demand
- Improve voltage and frequency regulation
- Better use of renewable energy sources

The main technologies for energy storage are [5]:

1) *Pumped energy storage*: Hydro power plants equipped with the possibility of storing water, normally daily supply, that is pumped back to the reservoir have been in service for long period of time. This old technique is seen as a good way to use cheap energy during night time and be ready to generate energy during peak hours. Power plants in the range of hundreds of MW are those targeted for this type of energy storage.

2) *Compressed Air Energy Storage*: The Compressed Air Energy Storage (CAES) consists in storing compressed air when the energy cost is low. The air is compressed at special places like geological formations, mines, caverns o depleted

gas wells. Later when it is needed, the compressed air is released to a thermal station and blended with the fuel input to the turbine. The power ranges from 15 MW to 800 MW.

3) *Sodium Sulfur Batteries*: The sodium sulfur (NaS) batteries were designed for electric cars in the 1960s. Later the Japanese improved the design and are now used to store wind energy and improve the grid reliability [6]. In a pilot project American Electric Power (AEP) installed a 1.2 MW NaS battery in a substation. The manufacturer (NGK Insulators Ltd, Japan) plans the battery to last for about 15 years, with 4,000 to 5,000 charging cycles at 90% of its full capacity.

4) *Flywheel Energy Storage*: “A flywheel is an electromechanical storage system in which energy is stored as kinetic energy of a rotating mass” [7]. In this system the rotating rotor stores energy. The rotor operates in a vacuum and spins on bearings to reduce friction. The rotor contains a motor/generator: the motor to charge the system and the generator to discharge it. The range of power ranges from 40 kW to 1.6 MW for times of 5 - 120 seconds. Due to the short time operation, its main application is the substitution of UPS.

III. COLOMBIAN ENERGY USAGE IN 2008

Colombia, in terms of energy, has many alternatives due to its geographical position and to its natural resources. It is clear that Colombia depends on fossil fuels and even when hydro power is considered renewable and contributes for a large percentage of the electricity supply, the country does not have a clean energy policy.

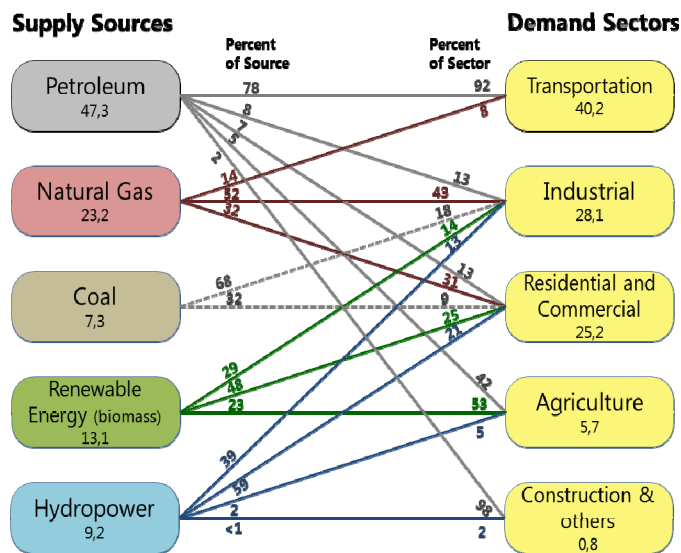


Fig. 2. Energy usage at Colombia by Source and Demand Sector

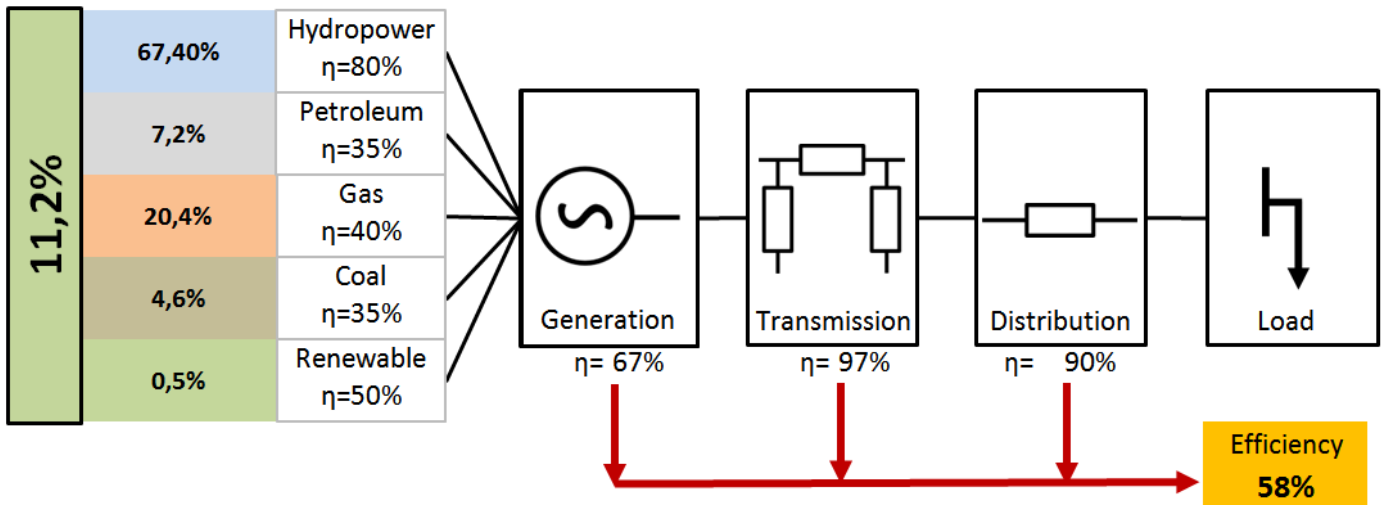


Fig. 3. Colombian overall efficiency of the electrical sector in Colombia.

Figure 2 shows the conditions of energy usage in Colombia considering all sources used and the different demand sectors for the year 2008 for which data was available [8]. As expected the main supply of energy is derived from Petroleum while only about one third of the energy is derived from renewable energy (which includes biomass and hydropower). Considering a simplified model of sources and efficiency of the generation, transmission and distribution process, figure 3 presents a gross calculation of the overall efficiency of the electrical sector in Colombia. In this calculation average efficiencies have been introduced for the different stages that are involved in the processes that allow the transformation of energy from production to electrical usage. As shown, today in Colombia almost all the energy is converted using the three processes involved: generation, transmission and distribution.

The following conclusions can be derived from these results:

- 1) The overall estimated efficiency is in the order of 58% only, impacted by the low efficiencies of older plants using fossil fuels.
- 2) Although some generation of electricity goes directly to the distribution process this portion is very small not changing significantly the magnitudes shown.
- 3) Only about 11,2% of the total energy consumed in Colombia is the object of transformation by the electrical system.

As a global conclusion from this analysis it seems imperative that the overall efficiency of the power system shall be substantially increased in the future to make a “smarter” use of energy mitigating the impact on the environment.

IV. INTERNATIONAL ENERGY FORECAST

The world is facing important changes in the energy offer-demand structure. The world is used to fossil fuels, but in some years they will be very expensive. Besides the environment will not support the current trend and the CO₂ emissions will damage the well-being of mankind.

Several agencies and research institutes are considering future scenarios in order to help governments to understand the problems that we will face in the future and help shaping policies and decisions. A good energy outlook to the year 2050 was made by Shell [9]. The recent version of this study, dated 2008, establishes two possible scenarios, which provide alternative views of the future. One scenario is called “Scramble” and the other “Blueprint”. The first one sees the future without changing our manners, leading to an undesirable result. The other one considers a future that is the result of taking responsible actions starting today. By means of laws, limits, renewable technology promotions, incentives, etc., the world energy offer-demand structure in the Blueprint scenario will be more efficient. This has many benefits like reducing the CO₂ emissions, reducing the dependence on fossil fuels and the important feeling that human beings will make decisions in the right direction.

Figure 4 shows the final energy consumption by 2050 according to the Blueprint Shell scenario. Considering this scenario, the conclusion is that it will be imperative to reduce the dependence on fossil fuels in the long run which will be replaced by sustainable energy sources. In fact considering nuclear and hydropower together with renewable energy these sources will be more than 60% of the total energy converted by the electrical sector.

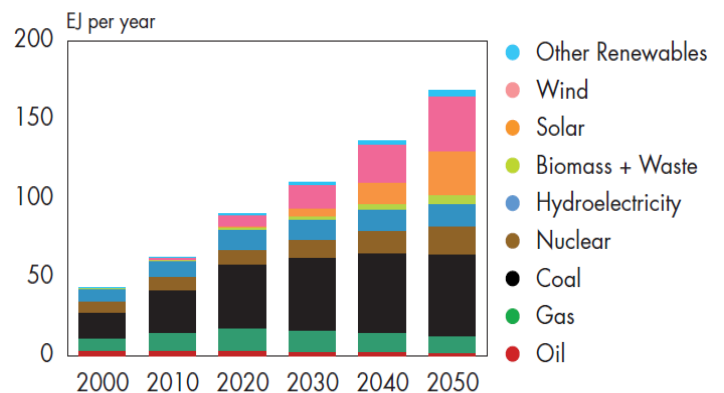


Fig. 4. Final energy consumption of electricity, Shell Blueprint Scenario [9].

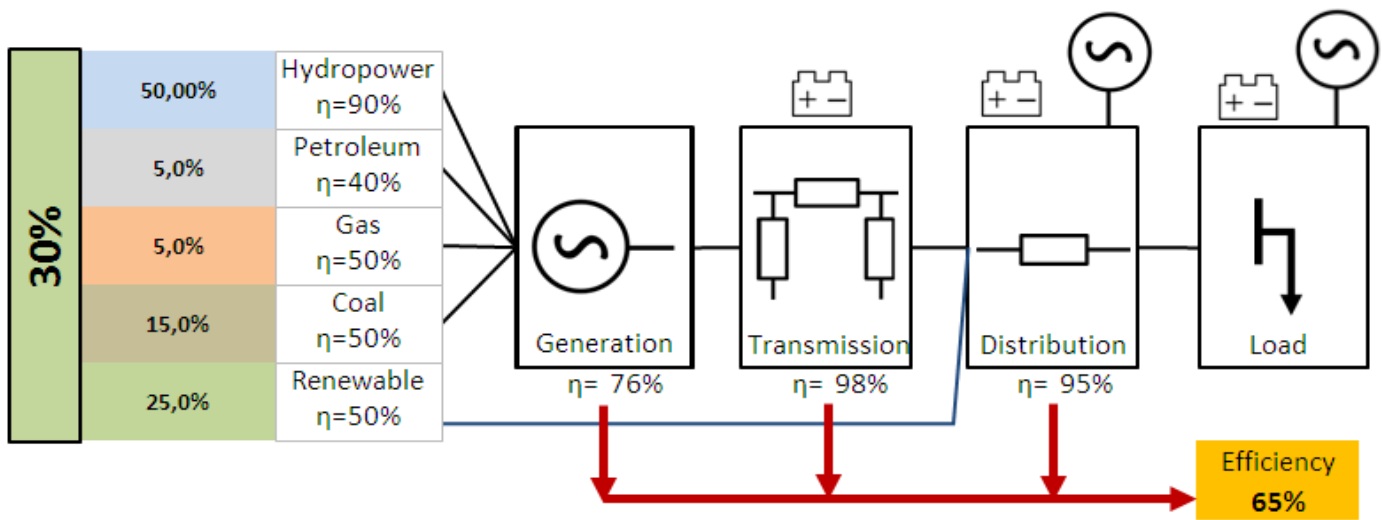


Fig. 5. Colombian overall efficiency of the electrical sector in Colombia at 2050.

In addition to the above, the energy input to the electric energy system will increase mainly because the share of electricity for transportation will increase dramatically considering the electrical vehicles entering massively in this time horizon. A substantial amount of energy in this scenario is expected to be close, if not directly, connected to the load thus avoiding the inefficiencies and difficulties of transporting electricity over long distances.

Although not directly shown in the Shell study, the efficiency in the use of energy in the future will certainly increase. The demand management will play an important role by creating the proper incentives for users to level demand and use wisely the scarce energy sources. Demand side management is expected to be a major driver of the energy consumption in the future.

V. COLOMBIAN LONG TERM ENERGY SCENARIO

The use of energy in the future will be different from what it is today. Colombia does not have a long term energy outlook. Although a forecast for the electric energy consumption expected for the year 2031 exists, the possible scenario in the long term has to be built by combining other scenarios as the one documented by Shell. Figure 5 is a possible scenario for 2050 constructed for the purpose of illustrating the trends that combine the smart grid concepts discussed before.

In constructing this scenario the following aspects were considered:

1) The primary energy sources converted to electricity will be cleaner than today. Although Colombia does not have incentives to promote the use of renewable energies, the country has a good potential of wind, solar, biomass and other sources. With these possibilities at least 25% of renewable generation is considered for this scenario which is well below the amount of renewable energy considered in the Shell scenario with more than 50%.

2) The hydropower will certainly continue to be a major contributor for electric production and in consequence a reduction to 50% from the today $\sim 70\%$ is considered for this scenario.

3) Colombia has a considerable amount of coal resources which will be available way beyond the time horizon explored

in this scenario. With new technologies such as coal gasification and other clean forms of using coal in a “smarter” way, the contribution of coal will be important in the future and thus at least 15% of contribution to electricity from this source is considered in this paper.

4) Oil and other forms of fossil fuels will certainly be reduced and because of price increase they will leave room to other forms of energy in particular for electrical energy production. A combined 10% contribution from these sources are considered for this analysis.

5) The total energy converted by the “energy transformation engine” is expected to rise to 30% from the 11.2% in 2008. This conservative amount is below of what is expected in developed countries that will be more dependent on electricity as analyzed by Shell.

In the long term scenario each process is expected to increase its efficiency by the use of energy storage systems in each stage of the path, mostly in the transmission and distribution stages. This improved efficiency will be the result of the materials used in the infrastructure with better properties including superconductivity and enhanced materials for transformation, better flow of energy by the use of FACTS, etc. In the distribution process besides the above, the higher efficiency of 95% includes the fact that less energy will have to use the distribution grid since some DG will feed the load directly. As shown in the figure most of the 25% of renewals will be part of the distribution process.

The proposed scenarios give as a result a 65% efficiency for the overall energy system with is an estimated reduction of losses of about 20% from today’s figures. This number seems today a very large amount but we consider it can be achieved by using the right strategy with the implementation of smarter grids. The impact on CO_2 reduction has not been calculated but it should be substantial given the increase of renewable energy.

In this scenario the instantaneous balance among the production and load will be complemented by a better dispatch of resources because of the expected large energy storage. The effect of storage combined with demand side management policies is expected to flatten the load curve which will mean a better use of energy resources with higher efficiency and less environmental impact. The demand profile and net power

flows at the different points of the system will be very important for the grid management based on an AMI which will be a tool of utmost importance.

In this context, DG will represent an important percentage of the total generation improving the system efficiency but grid management will be more complex. In this context, grid automation and information and communication systems will play an important role. They will have to be able to operate with distributed control to ensure the expected system availability.

VI. CONCLUSION

Efforts to mitigate the impact on the environment with the improvement of the efficiency of the electric grid converted in an energy system are mandatory. The comparison of the 2008 and long term scenario shows that the energy system will transform more and more energy to electricity reaching an important portion of the total energy used by Colombia. The scenario analyzed is still in a long road into the future, but this paper intention is to show that with the adequate policies a new grid with less impact on the environment, the smart grid, can be built.

The big changes expected in the electrical field will certainly need to face challenges that will require a different work force as the traditional engineers that are trained in our universities. The new engineers will face complex problems that range from energy related problems to economic and market related aspects passing by aspects including power, electronics, control, telecommunications, etc. The new challenges will present problems involving different disciplines requiring team work which are expected to be appealing to the new generation of engineers increasing the number of students directed to the electrical related subjects.

Governments, regulators, utilities hand in hand with universities and consumer groups and other entities will play a role in shaping the strategies, policies, economic aspects together with the definition of the required standards and technical aspects of the future energy systems.

REFERENCES

- [1] KEMA research and analysis; U.S. Utilities: The implications of Carbon Legislation, Bernstein Research, October 2007, Scoping Plan, California Air Resources Board, Insights from Modeling Analyses of the Lieberman-Warner Climate Security Act (S. 2191) Pew Center for Global Climate Change
- [2] United States Department of Energy, "The smart grid: And introduction." <http://www.oe.energy.gov/smartgrid.htm>
- [3] A. Nourai and C. Schafer, "Changing the electricity game," Power and Energy Magazine, IEEE, vol. 7, no. 4, pp. 42–47, july-aug. 2009.
- [4] Mascarell and R. Villafafila, "Embotellando energia: el sueño de los electricos," Automatica e Instrumentacion, no. 407, pp. 44–48, may 2009.
- [5] B. Roberts, "Capturing grid power," Power and Energy Magazine, IEEE, vol. 7, no. 4, pp. 32–41, july-aug. 2009.
- [6] B. Roberts, "Sodium-sulfur (nas) batteries for utility energy storage applications," in Power and Energy Society General Meeting – Conversion and Delivery of Electrical Energy in the 21st Century, 2008 IEEE, 20-24 2008, pp. 1–2.
- [7] J. Boyes and N. Clark, "Technologies for energy storage. flywheels and super conducting magnetic energy storage," in Power Engineering

Society Summer Meeting, 2000. IEEE, vol. 3, 2000, pp. 1548–1550 vol. 3.

- [8] Ministerio de Minas y Energía, UPME. Balance Energetico Nacional 2008, www.upme.gov.co.
- [9] BV Shell International, "Shell energy scenarios to 2050," 2008.

Renato Cespedes G. graduated as Electrical Engineer (1972) from the University of the Andes (Colombia) and obtained a Doctor in Electrical Engineering (1976) degree from the National Polytechnique Institute of Grenoble, France. He is associate professor at the National University of Colombia. Dr. Cespedes is presently partner and CEO of RCONSULTING GROUP, a consulting company based in Bogotá with interest in automation, technology and Smart Grid concepts. Dr. Cespedes retired in 2009 from KEMA Inc. where he held the position of Director of the Latin America operations.

Estrella Parra. Eng. Parra was born in Bogotá, Colombia. She finished her undergraduate and postgraduate studies in the Department of Electrical Engineering of the National University of Colombia. She is Specialist in Power Systems, she has been teaching in the National University of Colombia since 1980 and has been awarded of the medal to the university merit and in numerous occasions she has received the distinction of Exceptional Teacher. Mrs. Parra has participated in various consulting studies and is a recognized professional in her subjects of interest.

Andres Aldana. Eng. Aldana was born in Bogota, Colombia and has a diploma of Electrical Engineer of the National University of Colombia (2010). He is currently student of the Master in Electrical Engineering at the same university. He has special interest in Environmental Impact Assessment applied to the electrical infrastructure, subject of his master thesis. He has experience in illumination: commercial and street lighting.

Camilo Torres. Electrical engineer of the National University of Colombia. He was born in Bogota (Colombia) and he is currently studying MSc in Electric Engineering at National University of Colombia. He worked in the Laboratory of Industrial Electric Tests "Fabio Chaparro" (LAFE) of National University of Colombia